

Coffee System

Mira Traditional espresso machine, 3 groups, 15,6 liter boiler with Steamair

ITEM # _____

MODEL # _____

NAME # _____

SIS # _____

AIA # _____


602511 (MIRA3SA)

Traditional Espresso Machine, 3 groups, 15,6 liter boiler, 3 independent control boxes with 4 programmable dosing program, programmable water, Steamair, automatic cleaning cycle, stainless steel body

Short Form Specification

Item No.

The MIRA line takes on the challenge of offering a dynamic outline with a sleek and streamlined design combining Stainless steel, Plexiglass and chromed components, and a full operational potential in the semi-automatic professional machine category. Its technical features enable it to warrant consistently outstanding coffee quality throughout the day, while maintaining its reputation of quality and reliability that has resulting from a long-standing experience. Among its features, independent control boxes to control the volumetric commands, manual Steamglide lever to control the steam level horizontally and precisely via a ceramic cartridge, hot water dispenser with 2 programmable time-delay keys, steam dispenser with 1 programmable time-delay key

Main Features

- Automatic cleaning cycle.
- The MIRA line offers a dynamic outline with a sleek and streamlined design combining Stainless steel, Plexiglass and chromed components.
- Its technical features enable it to warrant consistently outstanding coffee quality throughout the day, while maintaining its reputation of quality and reliability that has resulting from a long-standing experience. Among its features, independent control boxes to control the volumetric commands, manual Steamglide lever to control the steam level horizontally and precisely via a ceramic cartridge, hot water dispenser with 2 programmable time-delay keys, steam dispenser with 1 programmable time-delay key.
- Steamair milk auto-frother programmable outlet.
- Traditional espresso machine.
- Programmable water.
- 3 independent control boxes with 4 programmable dosing keys.

Construction

- Stainless steel body.
- Manual Steamglide lever.
- 3 groups - 15.6 liter boiler

Included Accessories

- 1 of Filter holder for one cup PNC 871002
- 3 of Filter holder for two cups PNC 871003

Optional Accessories

- Doser Coffee Grinder, Flat 65 mm PNC 602543
- Doser Coffee Grinder, Flat 75 mm PNC 602544
- Grind on-demand Coffee Grinder, Flat 75 mm PNC 602546
- Steam outlet with adjustable flow PNC 871000
- Hot water outlet with adjustable flow PNC 871001
- Filter holder for one cup PNC 871002
- Filter holder for two cups PNC 871003
- Filter holder for three cups PNC 871004
- Raised feet kit PNC 871005
- Knock box drawer for Mira3 and Classic3 PNC 871007
- Side milk refrigerator 8 liter nominal capacity for up to 4 liter milk containers PNC 871014
- Side milk refrigerator 8 liter nominal capacity for up to 4 liter milk containers with digital display PNC 871015
- Stainless steel 57 mm tamper PNC 871016

APPROVAL: _____



Electrolux
PROFESSIONAL

Coffee System
Mira Traditional espresso machine, 3
groups, 15,6 liter boiler with Steamair

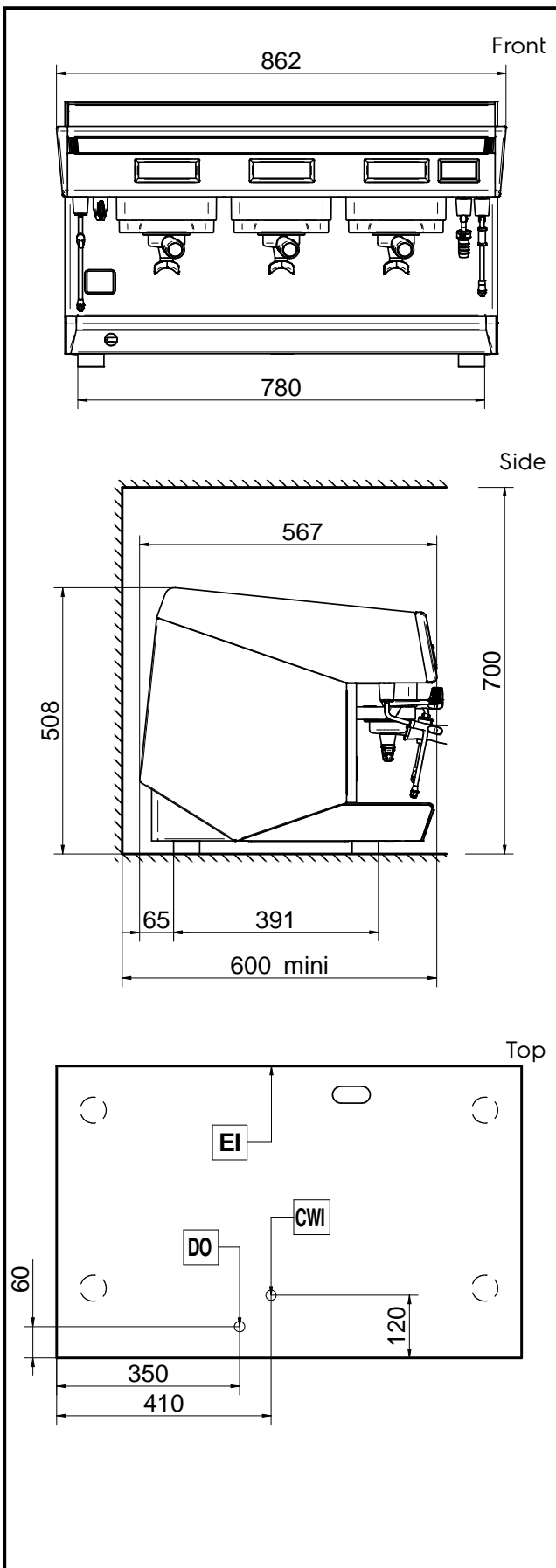
- Filter for one cup, 12 gr
- Filter for two cups, 18 gr
- Stainless steel knock box drawer

- PNC 871017
- PNC 871018
- PNC 871019



Coffee System
Mira Traditional espresso machine, 3 groups, 15,6 liter boiler with
Steamair
The company reserves the right to make modifications to the products
without prior notice. All information correct at time of printing.

2020.09.10



Electric

Supply voltage:	
602511 (MIRA3SA)	400 V/3N ph/50 Hz
Electrical power max.:	4.7 kW
Current consumption:	7 Amps
Plug type:	

Water:

Cold water temperature (min/max):	5 / 60 °C
-----------------------------------	-----------

Key Information:

External dimensions, Width:	862 mm
External dimensions, Height:	510 mm
External dimensions, Depth:	570 mm
Net weight:	75 kg
Shipping volume:	