



**Modular ice maker - Scale system**  
Daily production up to 5300 kg

Hotel	████████████████████
Restaurant	████████████████████
Fast food	████████████████████
Bar	████████████████████
Disco	████████████████████
Fish market	████████████████████
Supermarket	████████████████████
Medical & SPA	████████████████████
Industry	████████████████████

► Position n°



► Features & Plus

- Sub-cooled scale ice 99% dry
- 1l (water) - 1kg (ice) - only Air cooled
- AISI 304 SS Scotch Brite finish
- Tropical class +43°C
- Specific volume 1 m<sup>3</sup> = 430 kg of ice
- Vertical fixed "no leak" evaporator
- AISI 316L SS evaporator
- Removable and cleanable air filter
- Cleanable antiscaling filter
- FDA approved - ABS plastic components
- Easy cleanable internal rounded surfaces
- RoHS Free
- Electromechanical operation
- Automatic water charge
- Frame in INOX



Vertical fixed "no leak" evaporator



Cleanable antiscaling filter



Frame in INOX

► Prod. 24h

⦿	Air temp.		Water temp.		Kg	Lbs
	10° C	50° F	7° C	45° F		
	10° C	50° F	7° C	45° F	5300	11684
	21° C	70° F	15° C	60° F	5000	11023

**2 Years Warranty**  
subject to limitations

► Certifications available for this model



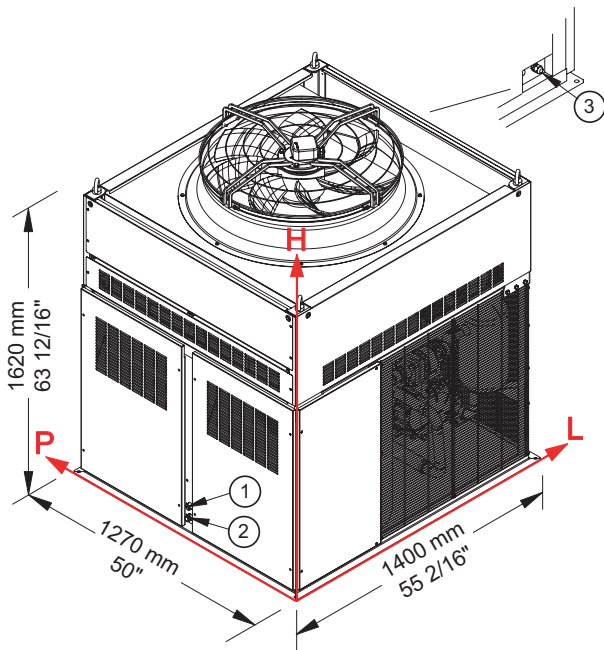


Ice Scales

# Muster 5000



## Modular ice maker - Scale system Daily production up to 5300 kg



### ► Working conditions

- Location: **Indoor**

	Min	Max
Ambient temperature	+10° C / +50° F	+43° C / 110° F
Water temperature	+3° C / +37° F	+32° C / +90° F
Voltage	-10%	+10%
Water inlet pressure	1bar (14 psi)	6bar (84 psi)

### ► Performances

	Air temperature	Water temperature					
		7° C	45° F	15° C	60° F	21° C	70° F
	10° C	5300 kg					
	50° F		11684 lbs				
	21° C			5000 kg			
	70° F				11023 lbs		
	32° C					4400 kg	
	90° F						9700 lbs

### ► Connections

All measures are referred to the down-left corner (L-H-Ø)

- ① Water in.: 635 mm / 25" - 135 mm / 5 5/16" - 3/4"  
 ② Water out.: 635 mm / 25" - 80 mm / 3 2/16" - 24 mm / 15/16"  
 ③ Electrical connections: 1132,5 mm / 44 9/16" - 88,5 mm / 3 8/16"

### ► Technical information

Production in 24h	5000 kg / 11023 lbs	Sizes (L-P-H mm)	1270 - 1400 - 1620
Cooling system	A	(L-P-H in)	50 - 55 2/16 - 63 12/16
Refrigerant	R404A - R452A	Sizes with pack (L-P-H mm)	1390 - 1524 - 1960
Standard voltage	400-415 V ~ 3N 50 Hz	(L-P-H in)	54 7/8 - 60 - 77 3/16
Electrical consumption	16000 W	Net weight	1000 kg / 2205 lbs
Water consumption	A: 1 l/kg - 12,0 gal/100 lbs	Gross weight	1130 kg / 2491 lbs
		Finish	AISI 304 stainless steel, scotch brite

The appliance must be connected to an interlocked socket 125A or automatic thermomagnetic circuit-breaker device 63A

All the technical information need to be considered at the following conditions:

- Ambient temperature +21° C
- Water temperature +15° C
- Average power consumption at +21° C (standard voltage)

Models and specifications are subject to change without notice

Rev. 02 - Issued September 2019



[www.bremaice.it](http://www.bremaice.it)  
[info@bremaice.it](mailto:info@bremaice.it)

